

BASE RACK FITTING INSTRUCTION

Part Number: 1780240

Product Description: BASE RACK AWNING MOUNT - STANDARD

WARNING

- ◆ This awning mount is designed for awnings up to 16kg in weight, heavier awnings will require additional mounting points
- ◆ Do not use this product for any product, other than those specified by ARB
- ◆ This kit is designed to suit ARB brand awnings, functionality may be compromised using alternate brands
- ◆ This product must be installed exactly as per these instructions using only the hardware supplied
- ◆ This product or its fixing must not be modified in any way
- ◆ These instructions are correct as at the publication date
- ◆ During installation, it is the duty of the installer to check correct operation/clearances of all components
- ◆ Work safely at all times
- ◆ Unless otherwise instructed, tighten fasteners to specified torque
- ◆ Fastener torques are to be checked at regular intervals

ARB 4x4 ACCESSORIES

Corporate Head Office

www.arb.com.au

42-44 Garden St
Kilsyth, Victoria
AUSTRALIA 3137

Tel: +61 (3) 9761 6622
Fax: +61 (3) 9761 6807

Australian enquiries
North & South American enquiries
Other international enquiries

sales@arb.com.au
sales@arbusa.com
exports@arb.com.au

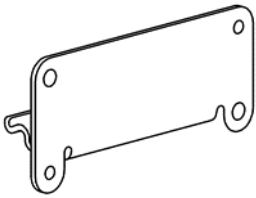
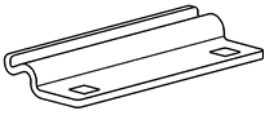
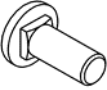


REQUIRED TOOLS FOR FITMENT OF PRODUCT:

13mm Spanner/Wrench	10mm Spanner (for awning)
---------------------	---------------------------

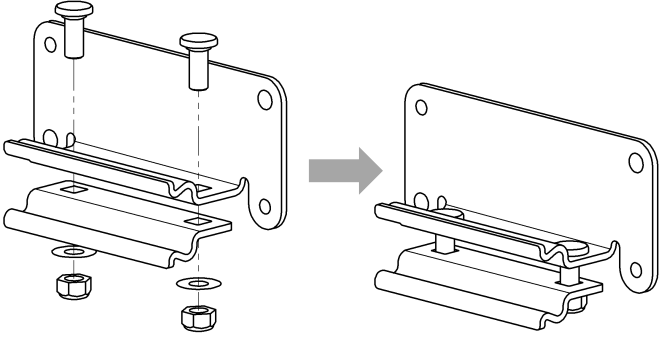
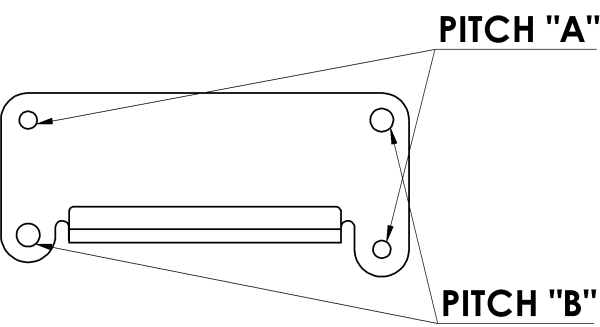
FASTENER TORQUE SETTINGS:

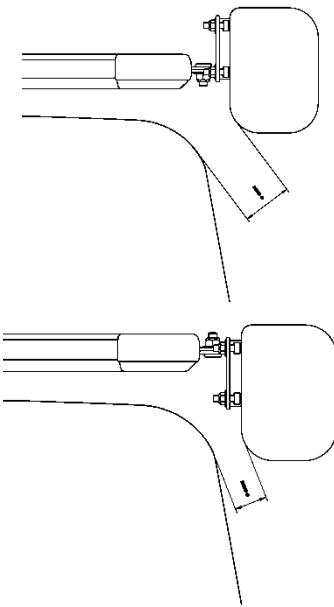
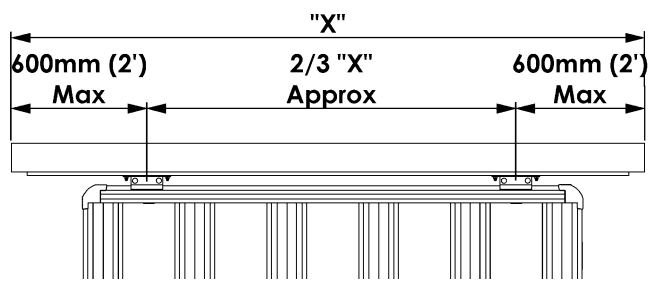
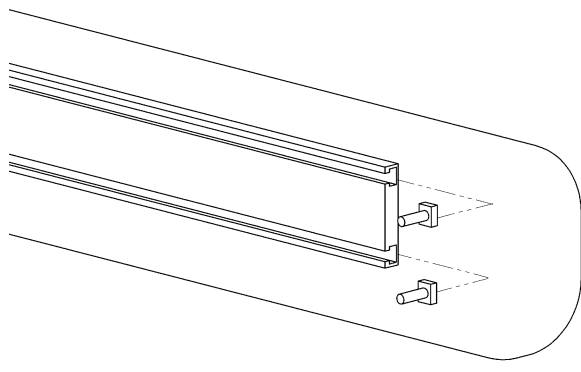
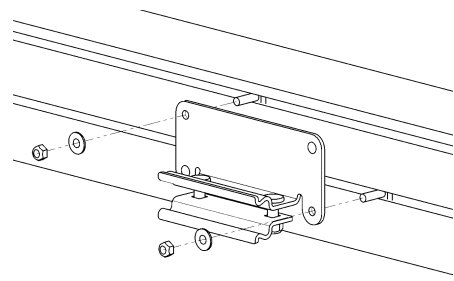
SIZE	Torque Nm	Torque lbft
M6	9Nm	7lbft
M8	22Nm	16lbft

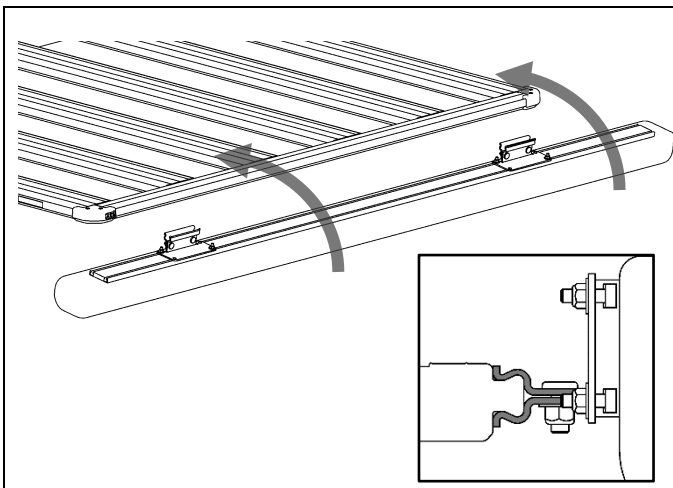
PARTS LISTING

APPLICATION.	PART NO.	QTY	DESCRIPTION
	3752561	2	BRKT AWNING STD
	3752562	2	BRKT ACC CLAMP 100MM
	6151921	4	BOLT COHD M8x20 PC8.8 LWHD
	6151212	4	NUT NYLOC M8 BLACK
	4581085	4	WASHER M8x19x1.2mm BLACK

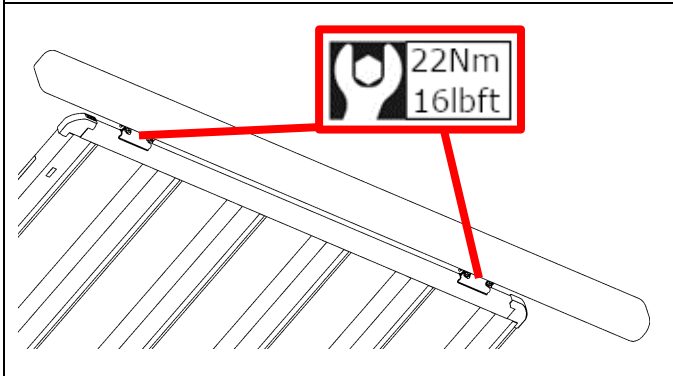
FITTING PROCEDURE

	<p>1. Assemble brackets with a pair of M8 Bolts, Washers and Nuts</p> <p>Only tighten nuts 3-4 turns</p>
	<p>2. There are 2 hole pitches</p> <p>Pitch "A"</p> <ul style="list-style-type: none"> • Suits ARB awnings • 47.5mm pitch • M6 holes <p>Pitch "B"</p> <ul style="list-style-type: none"> • Suits some alternate brand awnings • 42mm pitch • M8 Holes

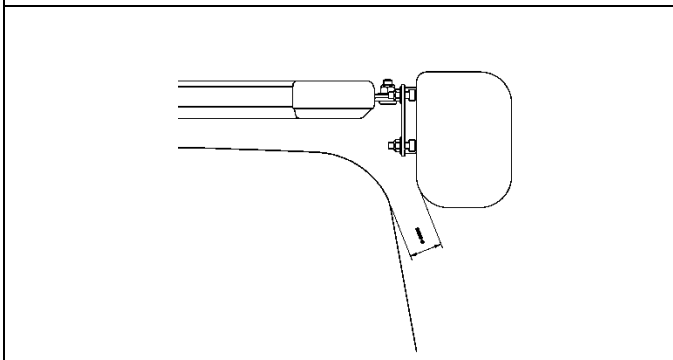
	<p>3. Decide if the bracket flange will mount up or down</p> <ul style="list-style-type: none"> • Check clearance distance to vehicle panels • Check door opening • Check window opening
	<p>4. Plan the position of the brackets</p> <ul style="list-style-type: none"> • Distance between brackets minimum 2/3rds the length of the awning • Maximum distance from bracket to awning end 600mm (2')
	<p>5. Insert awning bolts as per awning instructions</p>
	<p>6. Use the awning fasteners to fix the brackets to the awning</p>



7. With assistance place the mount brackets over the BASE RACK dovetail



8. Tighten bolts to specified torque



9. Check all clearances
- Check clearance distance to vehicle panels
 - Check door opening
 - Check window opening

ARB BASE RACK